

JVC

SCHEMATIC DIAGRAMS

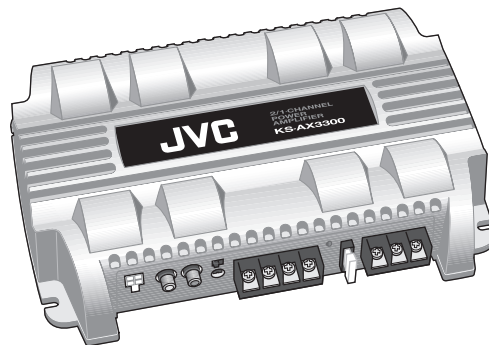
POWER AMPLIFIER

KS-AX3300

CD-ROM No.SML200503

Area suffix


J ----- Northern America
E ----- Southern Europe
U ----- Other Areas



Contents

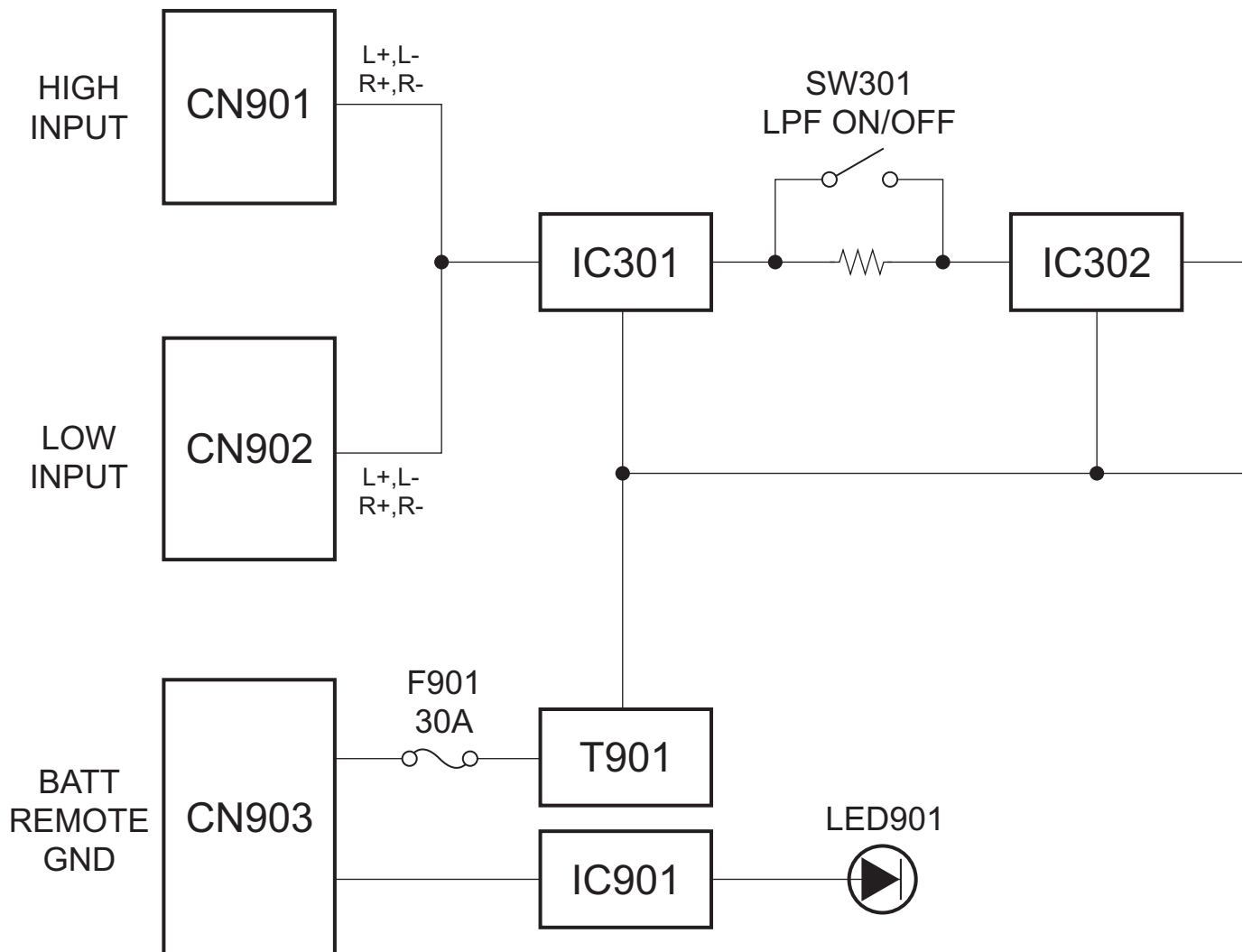
Block diagram	2-1
Standard schematic diagram	2-3
Printed circuit board	2-5

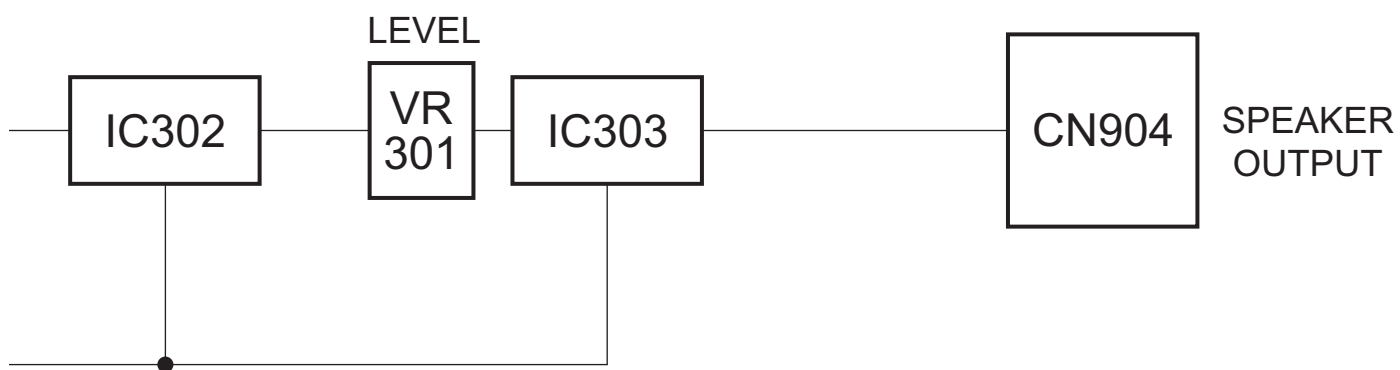
Safety precaution

 **CAUTION** Burrs formed during molding may be left over on some parts of the chassis. Therefore, pay attention to such burrs in the case of performing repair of this system.

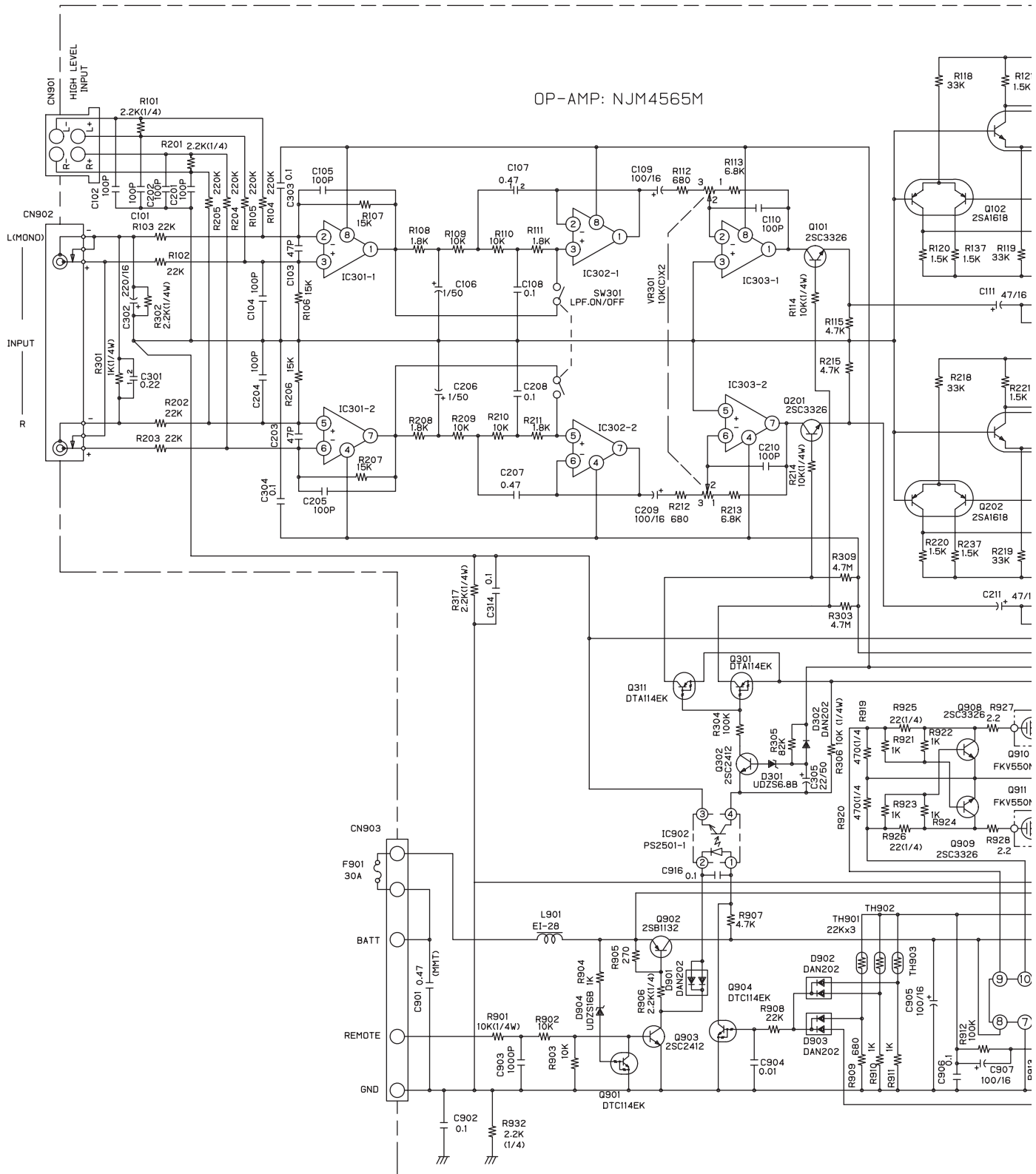
< MEMO >

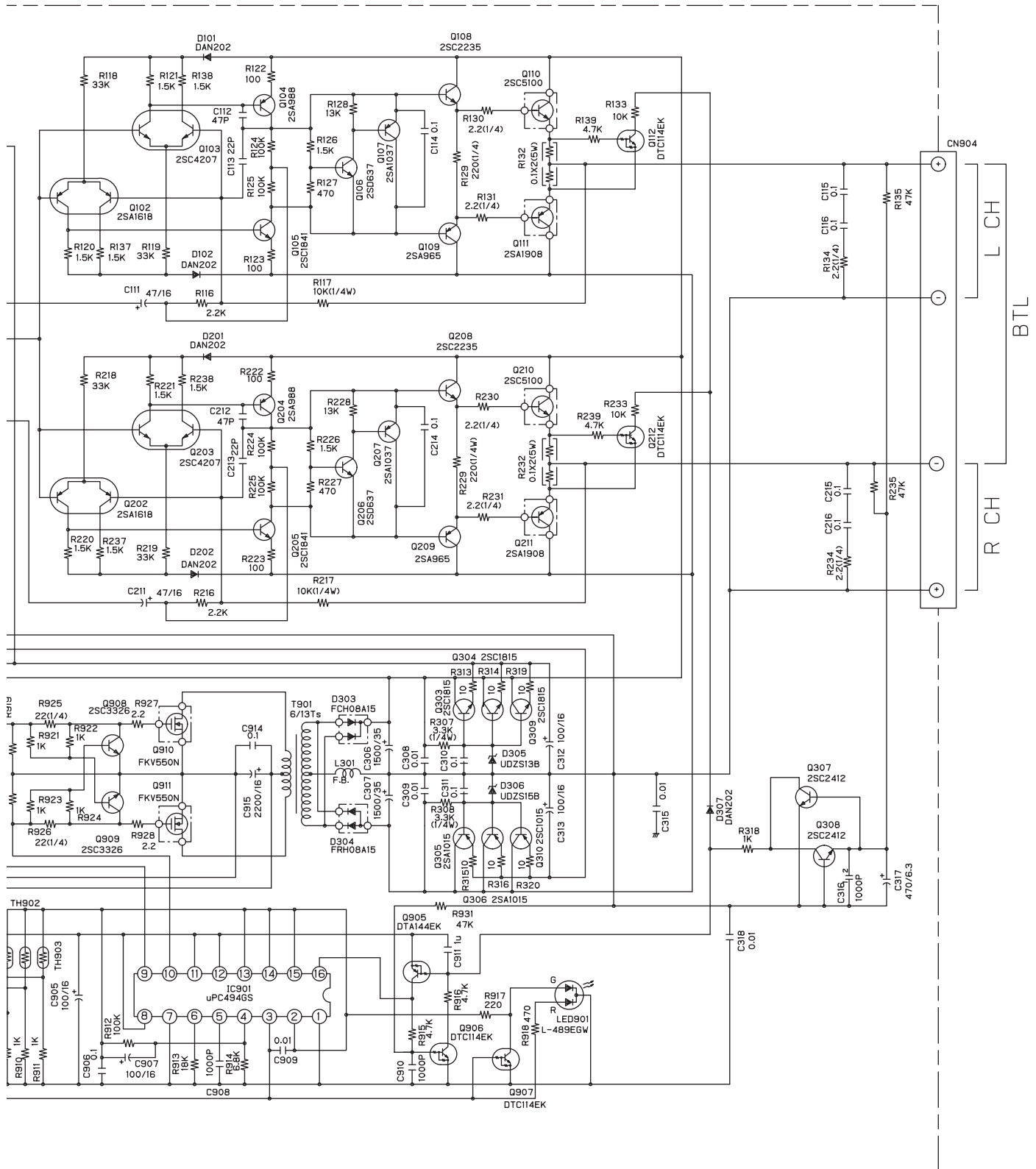
Block diagram





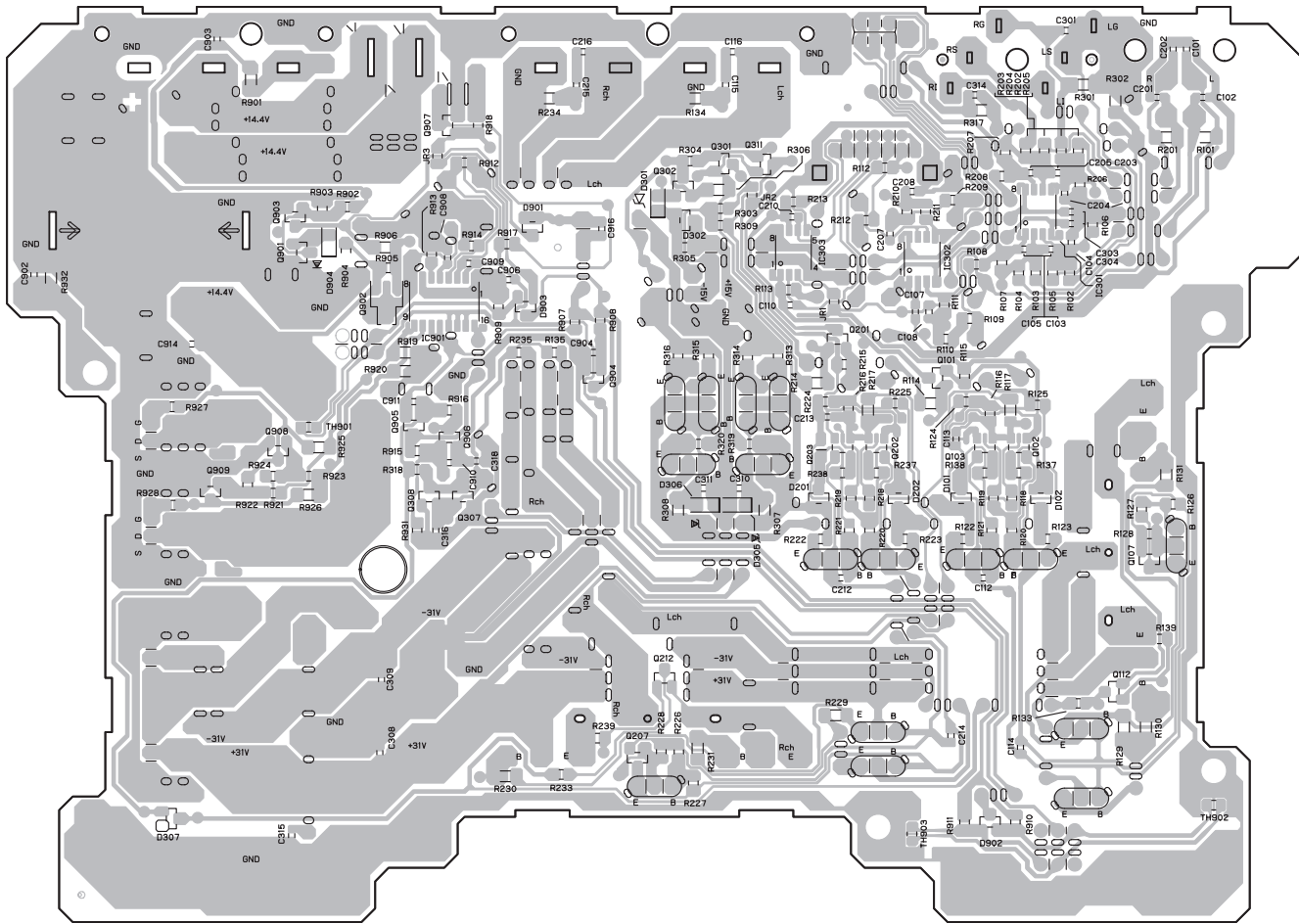
Standard schematic diagram





Printed circuit board

■ Main board



< MEMO >

JVC

Victor Company of Japan, Limited

AV & MULTIMEDIA COMPANY CAR ELECTRONICS CATEGORY 10-1, 1chome, Ohwatari-machi, Maebashi-city, 371-8543, Japan

(No.MA171SCH)



Printed in Japan
VPT